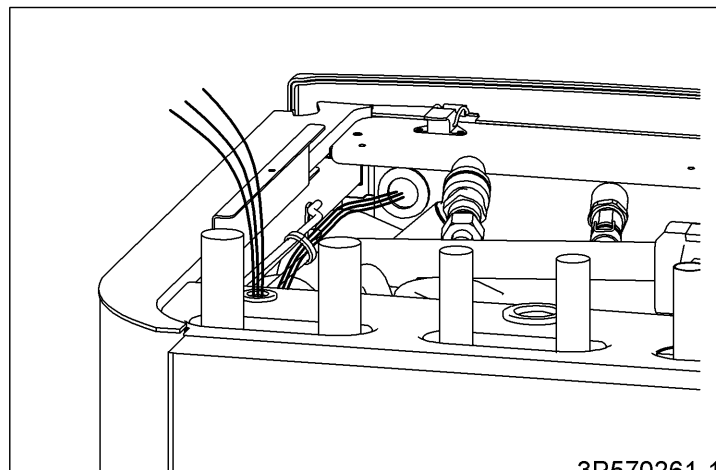
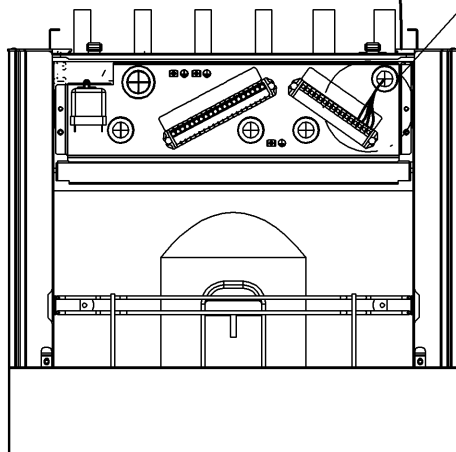


| | |
|----------|-------------------------------|
| X5M (13) | CT1 (+) CT2 (+) CT3 (+) |
| X5M (14) | CT1 (-) |
| X5M (15) | CT2 (-) |
| X5M (16) | CT3 (-) |



3P570261-1